

InteliLite AMF 25



Order code: IL3AMF25BAA

Controller for single gen-set applications

Datasheet

Product description

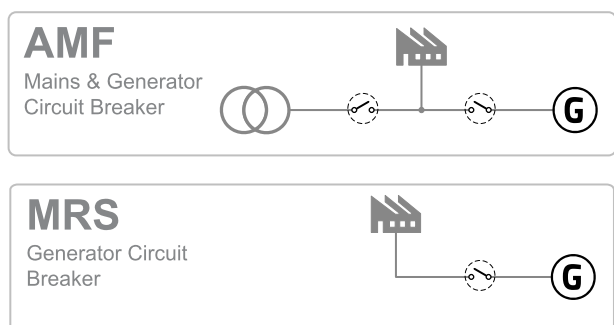
- ▶ Single Gen-set controller for Stand-by and Prime-power applications
- ▶ Direct communication with EFI engines
- ▶ Total remote monitoring and control

Key features

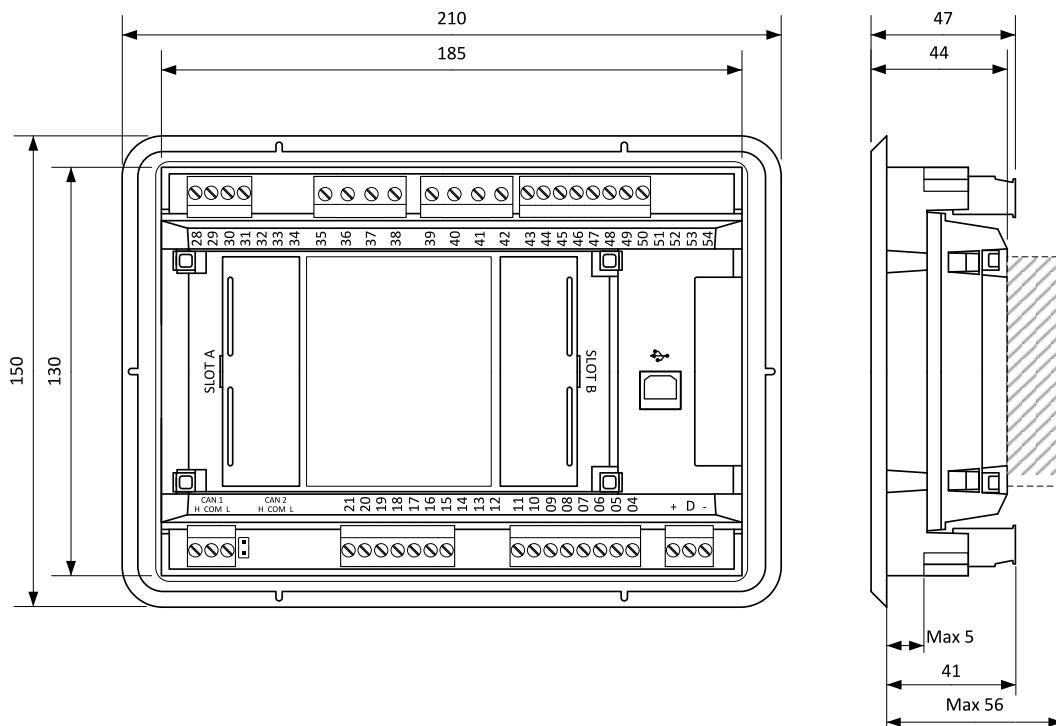
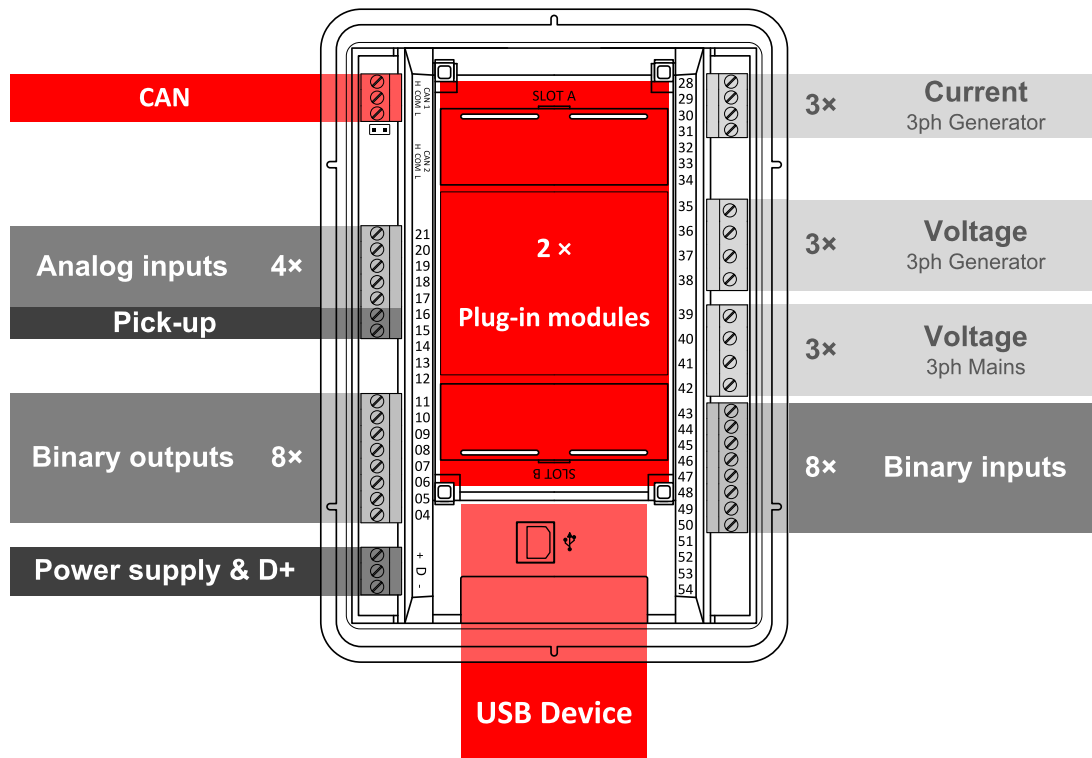
- ▶ 5 languages in the controller & translator functionality
- ▶ 3 levels of password
- ▶ 3 sets of alternative configurations
- ▶ Magnetic pickup
- ▶ ECU support & Tier 4 Final ready
- ▶ STAGE V support
- ▶ Cloud-based monitoring and control via WebSupervisor
- ▶ Geo-Fencing and tracking via WebSupervisor
- ▶ Plug-in module concept for more capabilities (RS232, RS485, Ethernet, GPRS, 4G/LTE, Modbus, SNMP, emails, SMS, I/Os)
- ▶ 2 slots for plug-in modules
- ▶ CAN modules support
- ▶ Power over USB for controller's adjustment
- ▶ In-built PLC, complemented with a monitoring/debugging tool
- ▶ 8 binary outputs, 8 binary inputs, 4 analog inputs
- ▶ 2 high-current binary outputs

- ▶ Run Hours source selector
- ▶ Activation of outputs based on inputs/power/temperature
- ▶ Real time clock
- ▶ Multipurpose flexible timers (also for rental)
- ▶ Comprehensive history log with up to 350 events
- ▶ Dual Application: control of Gen-set, transfer switch and alternation
- ▶ 3 maintenance timers (counting even under zero)
- ▶ Possibility to disable protections
- ▶ Modbus register mapping possibility
- ▶ Adjustable Main Screen
- ▶ A version for low temperature is also available

Application overview



Dimensions, terminals and mounting



Note: The final depth of the controller depends on the selected plug-in module – it can vary between 41 mm and 56 mm. Mind also the size of connectors and cables (e.g. in case of RS232 connector, add about 60 mm more for standard RS232 connector and cable).

Note: The controller is to be mounted into panel doors as a standalone unit using provided metal holders. The requested cutout size is 187 × 132 mm. Use the screw holders delivered with the controller to fix the controller into the door.

Power supply

Power supply range	8-36 VDC
Power consumption	394 mA / 8 VDC
	255 mA / 12 VDC
	140 mA / 24 VDC
	97 mA / 36 VDC
RTC battery	Replaceable (3 V)
Power terminal fusing	Max. 3 A (without BOUT consumption nor extension modules)
Max. Power Dissipation	3.5 W

Operating conditions

Protection degree (front panel)	IP 65
Operating temperature	-20 °C to +70 °C
Operating temperature for Low Temp. version	-40 °C to +70 °C
Storage temperature	-30 °C to +80 °C
Operating humidity	95 % non-condensing (EN 60068-2-30)
Vibration	5-25 Hz, ± 1.6 mm 25-100 Hz, a = 4 g
Shocks	a = 500 m/s ²
Surrounding air temperature rating 70 °C Suitable for pollution degree 3	

D+ terminal

Max. output current	250 mA / 36 V
Charging fail threshold	Adjustable

Voltage measurement

Measurement inputs	3ph-n Gen voltage , 3ph-n Mains
Measurement range	277 V / 480 V AC (EU)
	346 V / 600 V AC (US/Canada)
Linear measurement and protection range	381 V / 660 V
Accuracy	1 %
Frequency range	40-70 Hz (accuracy 0.1 Hz)
Input impedance	0.72 MΩ ph-ph , 0.36 MΩ ph-n

Communications

USB port	non-isolated
CAN 1	CAN bus, 250 kbps, max 200 m, 120 Ω termination option, non-isolated

Current measurement

Measurement inputs	3ph Gen current
Measurement range	5 A
Max. allowed current	10 A
Accuracy	1.5 % for full temperature range (1 % from 0 °C to 50 °C)
Input impedance	<0.1 Ω

Binary inputs

Number	8, non-isolated
Close/Open indication	0-2 VDC close contact 6-36 VDC open contact

Binary outputs

Low current	6 low current output, non-isolated 0.5 A switching to positive supply voltage, BATT+
High current	2 high current output, non-isolated 5 A (60 °C), 4 A (70 °C) switching to positive supply voltage, BATT+

Analog inputs

Number	4, non-isolated
Type	Resistive
Resolution	0.1 Ω
Range	0-2500 Ω
Input impedance	170 Ω
Accuracy	±2 % from value in range above ±1.5 kΩ in range 2.5-15 kΩ

Magnetic pickup

Voltage input range	4 Vpk-pk to 50 Vpk-pk in range 4 Hz to 1 kHz 6 Vpk-pk to 50 Vpk-pk in range 1 to 5 kHz 10 Vpk-pk to 50 Vpk-pk in range 5 to 10 kHz
Frequency input range	4 Hz to 10 kHz
Frequency measurement tolerance	0.2 % from range 10 kHz

Available plug-in modules

Product	Description	Order code
CM-4G-GPS	GSM modem / 4G wireless internet and GPS locator	CM14GGPSXBX
CM-Ethernet	Ethernet interface	CM2ETHERXBX
CM-GPRS	GSM modem / GPRS wireless internet	CM2GPRSXBX
CM-RS232-485	Dual port interface	CM223248XBX
EM-BIO8-EFCP	8 additional binary inputs/outputs; current measurement	EM2BIO8EXBX

Note: Controller has 2 slots for plug-in modules

Available CAN modules

Product	Description	Order code
IGL-RA15	CAN remote annunciator with 15 LEDs	EM2IGLRABAA
Inteli AIN8	CAN module with 8 analog inputs	I-AIN8
Inteli IO8/8	CAN module with 8 binary inputs and 8 binary outputs	I-IO8/8
IGS-PTM	CAN module with 8 binary inputs, 8 binary outputs, 4 analog inputs and 1 analog output	IGS-PTM
Inteli AIN8TC	CAN module with 8 analog inputs dedicated for thermocouple sensors only.	I-AIN8TC
Inteli AIO9/1	CAN module with analog inputs and outputs – designed for DC measurement.	I-AIO9/1

Functions and protections

Support of functions and protections as defined by ANSI (American National Standards Institute):




Description	ANSI code	Description	ANSI code
Master unit	1	Incomplete sequence relay	48
Stopping device	5	Overcurrent	50/50TD
Multi-function device	11	Earth fault**	50G
Overspeed	12	Overcurrent IDMT	51
Underspeed	14	AC circuit breaker	52
Starting-to-running transition contractor	19	Overvoltage	59
Thermal relay	26	Pressure switch	63
Undervoltage	27	Liquid level switch	71
Annunciator	30	Alarm relay***	74
Overload(real power)	32P	Reclosing relay	79
Master sequence device	34	Overfrequency	81O
Unit sequence starting*	44	Underfrequency	81U
Current unbalance	46	Auto selective control/transfer	83
Voltage unbalance	47		

*Dual-operation

**Extension module EM-BIO8-EFCP required

*** extension module IGL-RA15 required

Certifications and standards

<ul style="list-style-type: none"> ▶ EN 61000-6-2 ▶ EN 61000-6-4 ▶ EN 61010-1 ▶ EN 60068-2-1 (-20 °C/16 h for std, -40 °C/16 h for LT version) ▶ EN 60068-2-2 (70 °C/16 h) 	<ul style="list-style-type: none"> ▶ EN 60068-2-6 (2±25 Hz / ±1,6 mm; 25±100 Hz / 4.0 g) ▶ EN 60068-2-27 (a=500 m/s²; T=6 ms) ▶ EN 60068-2-30:2005 25/55°C, RH 95%, 48hours ▶ EN 60529 (front panel IP65, back side IP20) ▶ UL 6200 	  
---	---	---

