

MITSUBISHI MMC

6D24TC

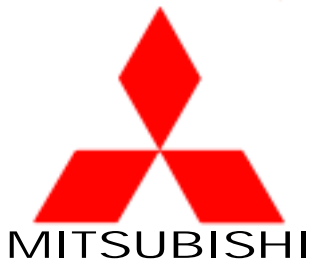
Used for 200kVA generator



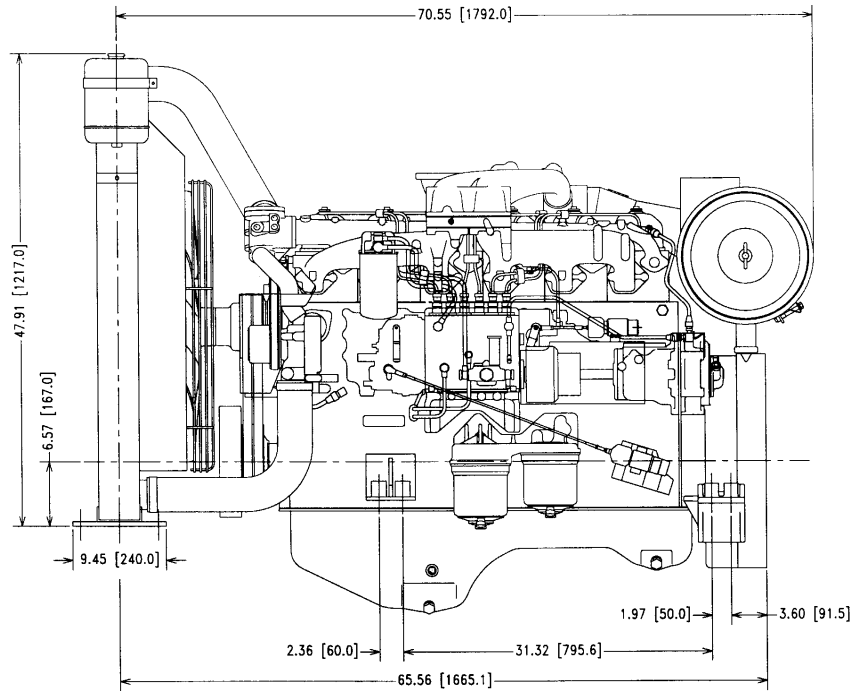
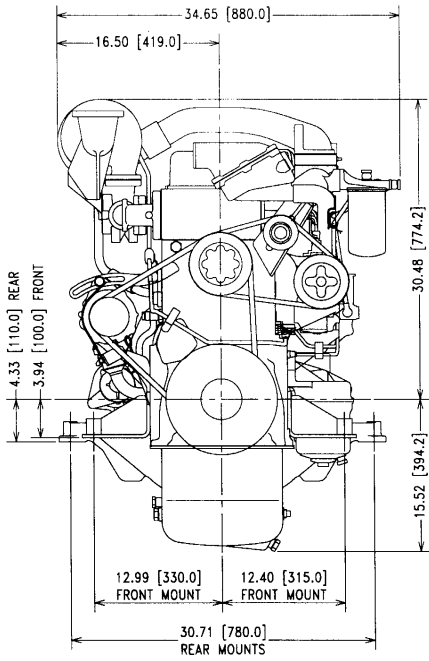
Mitsubishi Diesel Engines Mitsubishi Motor Corp. (MMC)					
ENGINE MODEL		6D24-T		6D24-TC	
TYPE		water cooled, direct injected, 6 cylinder, inline diesel, 4 stroke cycle			
BORE & STROKE IN. (MM)		5.12 x 5.91 (130 x 150)		5.12 x 5.91 (130 x 150)	
DISPLACEMENT CU. IN. (LITER)		729 (11.9)		729 (11.9)	
ASPIRATION		TURBO		TURBO & CHARGE AIR COOLER	
	RPM	HP	KWm	HP	KWm
INDUSTRIAL VARIABLE SPEED	1500	219	163	244	182
	1800	256	191	277	207
	2200	283*	211	319*	238
	2500	-	-	-	-
	2800	-	-	-	-
GEN-DRIVE POWER STAND-BY	1500	241	180	265	199
	1800	280*	209	298*	222
* EPA & CARB non-road certified rating.					
STATIONARY INTERMITTENT (NON-EPA)	1800	-	-	350	222
DRY WEIGHT (lbs.)		2051		2117	
MAX. TORQUE Ft. Lbs. (Nm)		777 (1050)		870 (1175)	
SPEED @ MAX. TORQUE (rpm)	rpm	1500		1500	
SPECIFIC FUEL CONSUMPTION	lbs/hph g/kwh	.350 (213)		.342 (208)	

The values given in this data sheet are for information purposes only and are not guaranteed.

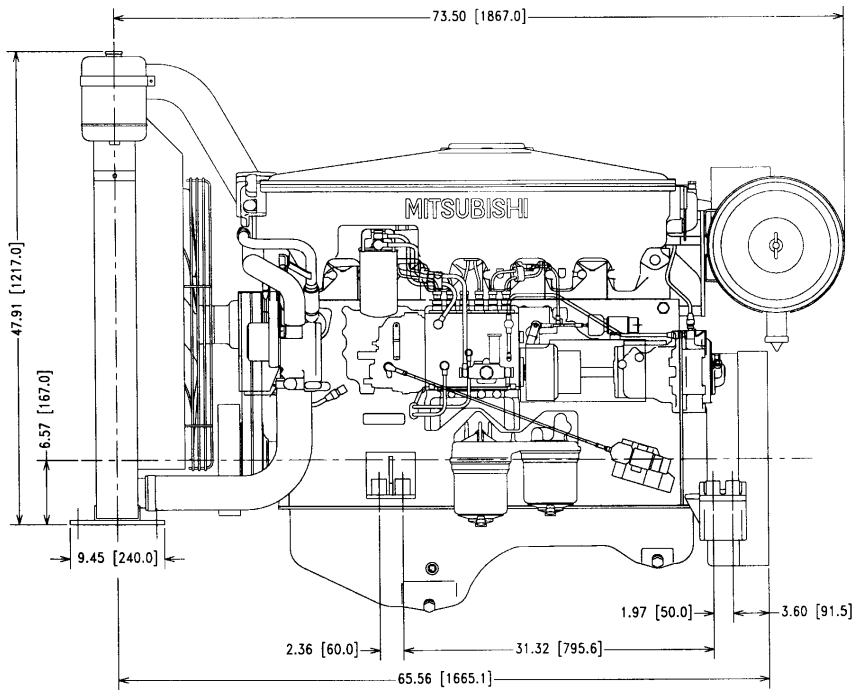
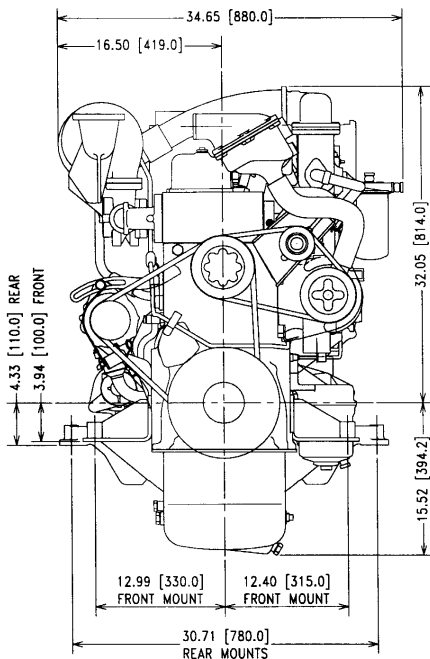
- Severe duty 6-cylinder diesels from Mitsubishi Motors Corp.
- Designed for round the clock reliability.
- Known survivability and virtually fault free operation.
- Extremely easy service and maintenance procedures.
- Exceptionally well suited for extensive operating hours on prime duty gensets and stationary duty.
- When you are serious about quality specify MITSUBISHI MMC.



Power for a World of Applications,
Performance without Compromise.



MODEL 6D24-T



MODEL 6D24-TC